



Britestream LED Niche Light is a flush mounted light which protrudes only 11mm from the pool/spa wall.

Its energy efficient super bright LED's are capable of delivering 352 lumens of light* and operates on only 15 watts of energy.

- **Energy saving**
 - operates on 15% of the energy of a halogen pool light
- **Long life**
 - LED life span of over 70,000 hours
- **Available in Brite White or Electric Blue**
- **Optional Stainless Steel Rim**



** Britestream White LED's deliver 352 lumens of light.*

Durable Niche Housing

Niche housing is constructed from injection-moulded ABS for non-corrosive durability

Innovative Lens

Its innovative polycarbonate lens cools the LEDs and provides a uniform diffusion of light.

Large Tie-backs

Large rebar tie-backs for ease of installation

Slotted Rims

Assists heat dissipation, as well as permitting water circulation.

Easy Coiling

Extra space for easy coiling and storage of the light's power cord

Extra Slim Protrusion

Projects only 11mm from the pool/spa wall

Energy Saving

BriteStream LEDs operate on only 15 watts of energy, which is approximately 15% of the electrical power usage of a halogen light.

Precision Built

BriteStream comprises of a precision built printed circuit board totally enclosed in a waterproof housing.

Blue or White

BriteStream LED lights are available in Brite White and Electric Blue.

Super Bright

Super bright energy saving LEDs capable of delivering 352 lumens of light. [White LED light]

Long Life

BriteStream LED has a life span of over 70 000 hours, which is equivalent to over 30 years of illumination. (Based on 6 hours usage per day).

Triple seal connection

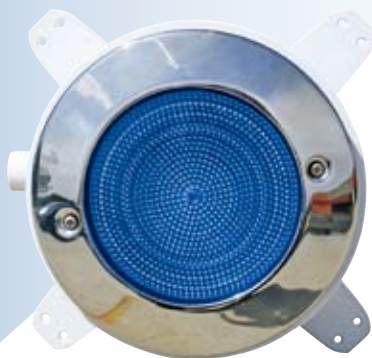
Three O'rings are in place to provide a triple seal eliminating the possibility of any leakages travelling up the power cord.

Built-in Heat Management

The LED's heat output is automatically managed by its electronic circuitry.

Technical Specifications

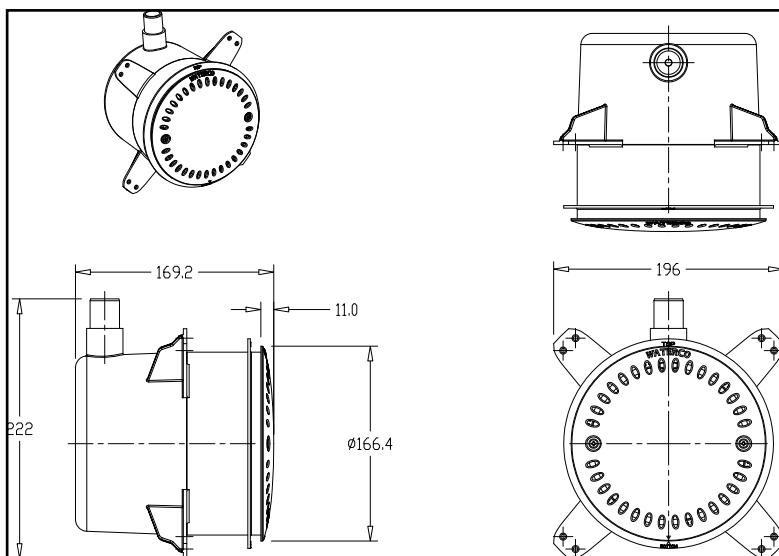
Zonal Distribution	Power Usage	Input Voltage	LED Life
0 to 180 degrees	15Watt	12V AC	70,000 hours



Optional Stainless Steel Rim

Warranty

BriteStream LED lights are covered by a comprehensive 12 month warranty.



OFFICES - AUSTRALIA

NSW - Sydney (Head Office)
Tel: +61 2 9898 8600
QLD - Brisbane
Tel: +61 7 3299 9900
VIC/TAS - Melbourne
Tel: +61 3 9764 1211
WA - Perth
Tel: +61 8 9273 1900
SA/NT - Adelaide
Tel: +61 8 8244 6000
ACT Distribution
Tel: +61 2 6280 6476

OFFICES - OVERSEAS

Waterco (Europe) Limited
Sittingbourne, Kent. UK
Tel: +44 (0) 1795 521 733
Waterco (USA) Inc
Augusta, Georgia, USA
Tel: +1 706 793 7291
Waterco Canada
St Hyacinthe, Quebec, Canada
Tel: +1 450 796 1421
Waterco (NZ) Limited
Auckland, New Zealand
Tel: +64 9 525 7570

Waterco (C) Limited
Guangzhou, China
Tel: +86 20 3222 2180
Waterco (Far East) Sdn Bhd
Selangor, Malaysia
Tel: +60 3 6145 6000
PT Waterco Indonesia
Jakarta, Indonesia
Tel: +62 21 4585 1481

DISTRIBUTED BY:

