





MULTI CYCLONE PLUS

A revolution in pool filtration

MultiCyclone Plus combines centrifugal and cartridge filtration into one streamline housing, creating an ultra compact filtration system that can be vertically installed on a pool pump.

-  **Dual stage filtration**
-  **Ultra compact**
-  **Ease of maintenance**
-  **Save time, water and energy**

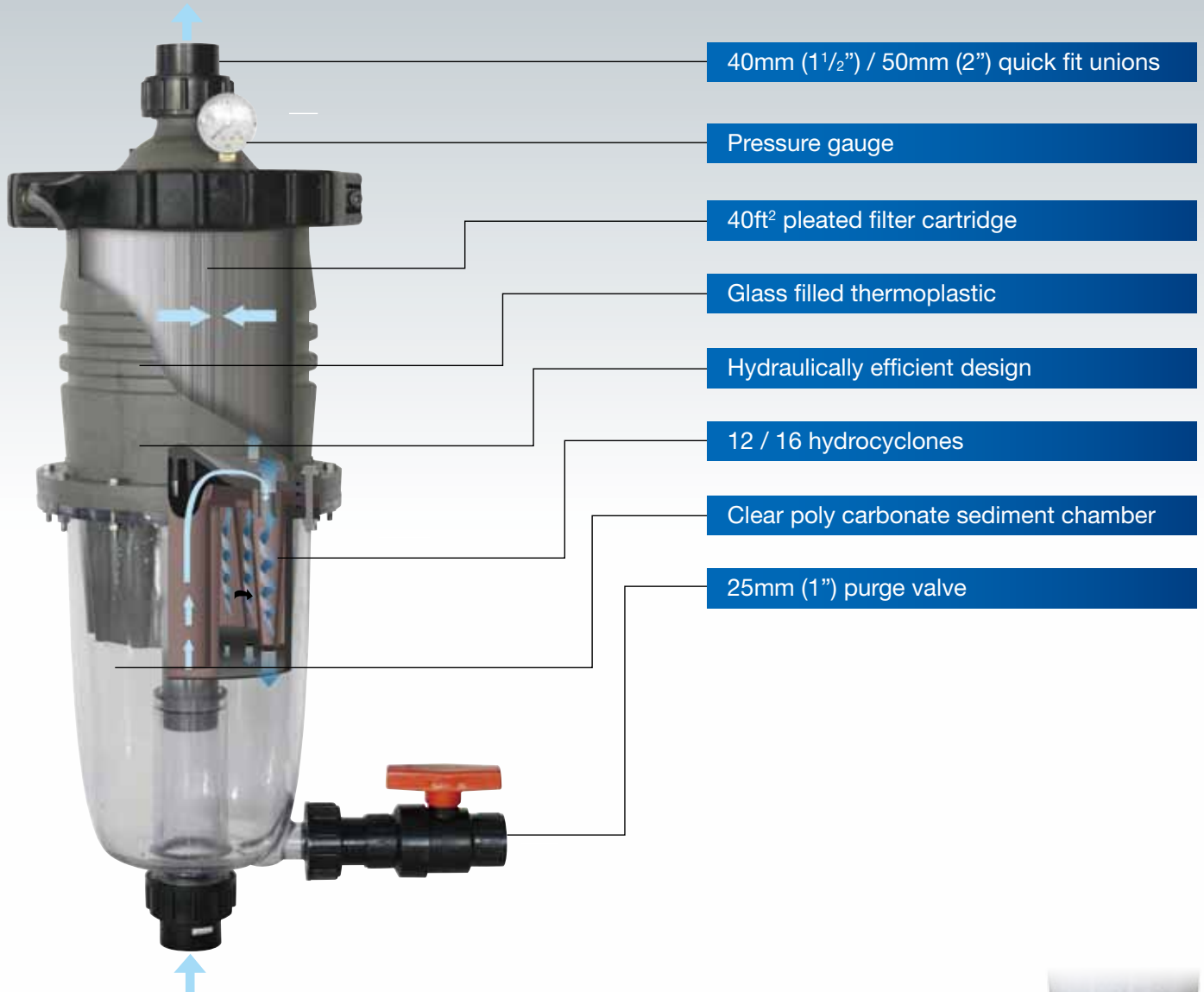


MULTI  CYCLONE 12 PLUS

MULTI  CYCLONE 16 PLUS

Dual stage filtration

Incoming water tangentially enters its multiple hydro cyclones, generating a strong centrifugal effect. Approximately 80% of the incoming dirt load is spiralled down to its clear sediment chamber. The outgoing water is finally polished via its inbuilt cartridge filter, producing crystal clear water.



Extended filter capacity

As MultiCyclone Plus's centrifugal section filter pre-filters up to 80% of the incoming dirt load, the capacity of its 40 ft² filter cartridge is magnified by up to 5 times.

Ease of maintenance

MultiCyclone Plus's sediment chamber is easily cleaned by opening its purge valve. Only 15 litres of water is discharged.



Ultra compact

MultiCyclone Plus's streamlined design means the entire filtration system can be installed vertically, reducing the footprint of the equipment pad. Additionally, minimal pipework reduces the filtration system's overall head loss. Alternatively the MultiCyclone Plus can be installed next to the pump by using an optional support base.



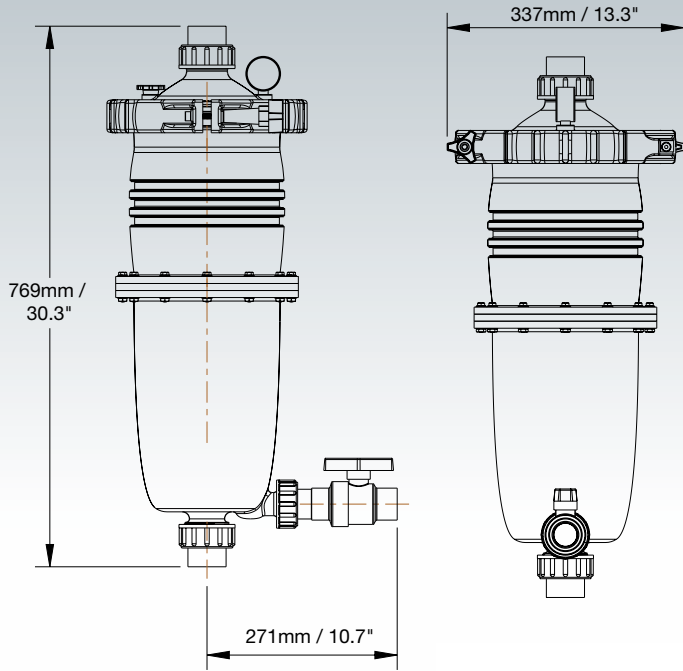
Specifications

Model	Hydrocyclones	Connection Ports	Minimum Flow	Maximum Flow	Filter Area	Maximum Pool Size	Maximum Pressure
MultiCyclone12 Plus	12	40mm / 1 1/2"	40lpm	152lpm	3.7m ² / 40 sqft	73,000l	350 kPa (50psi)
MultiCyclone16 Plus	16	50mm / 2"	50lpm	152lpm	3.7m ² / 40 sqft	73,000l	350 kPa (50psi)

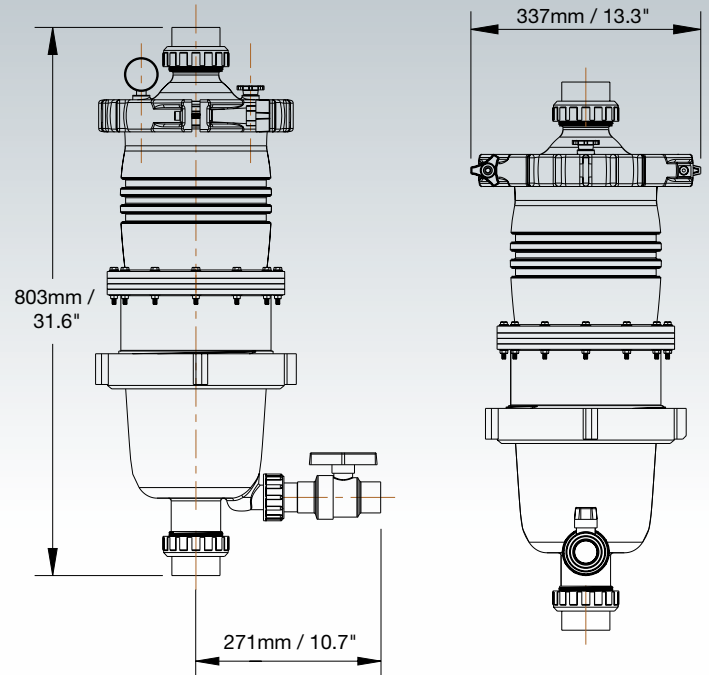
Maximum flow is limited by the surface area of the filter cartridge. Residential Cartridge Design Filtration Rate: 41 lpm/m² (1gpm/ft²)

Dimensions

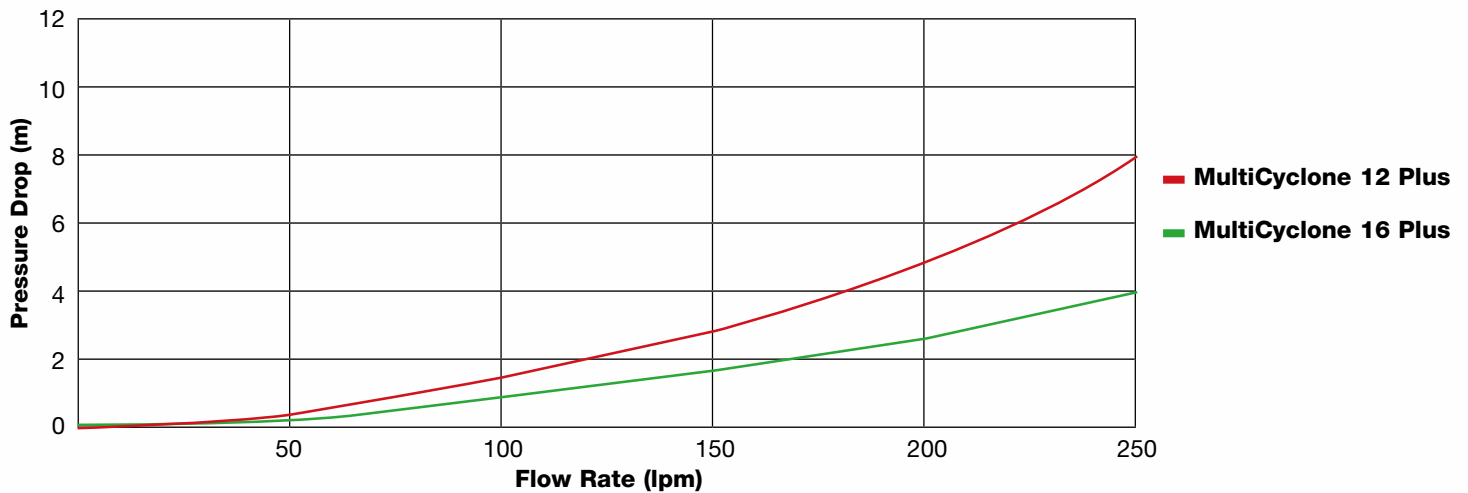
MultiCyclone 12 Plus



MultiCyclone 16 Plus



Head Loss Curves



Warranty

MultiCyclone Plus is covered by a 2 year warranty and 1 year warranty on labour. Commercial installations are covered by a 1 year warranty.

OFFICES - AUSTRALIA

NSW - Sydney (Head Office)
Tel: +61 2 9898 8600

QLD - Brisbane
Tel: +61 7 3299 9900

VIC/TAS - Melbourne
Tel: +61 3 9764 1211

WA - Perth
Tel: +61 8 9273 1900

SA/NT - Adelaide
Tel: +61 8 8244 6000

ACT Distribution
Tel: +61 2 6280 6476

OFFICES - OVERSEAS

Waterco (Europe) Limited
Sittingbourne, Kent, UK
Tel: +44 (0) 1795 521 733

Waterco (USA) Inc
Augusta, Georgia, USA
Tel: +1 706 793 7291

Waterco Canada
St Hyacinthe, Quebec, Canada
Tel: +1 450 796 1421

Waterco (NZ) Limited
Auckland, New Zealand
Tel: +64 9 525 7570

Waterco (C) Limited
Guangzhou, China
Tel: +86 20 3222 2180

Waterco (Far East) Sdn Bhd
Selangor, Malaysia
Tel: +60 3 6145 6000

PT Waterco Indonesia
Jakarta, Indonesia
Tel: +62 21 4585 1481

Waterco Singapore Intl Pte Ltd
Nehsons Building, Singapore
Tel: +65 6344 2378

DISTRIBUTED BY:

WATERCO
Water, the liquid of life

